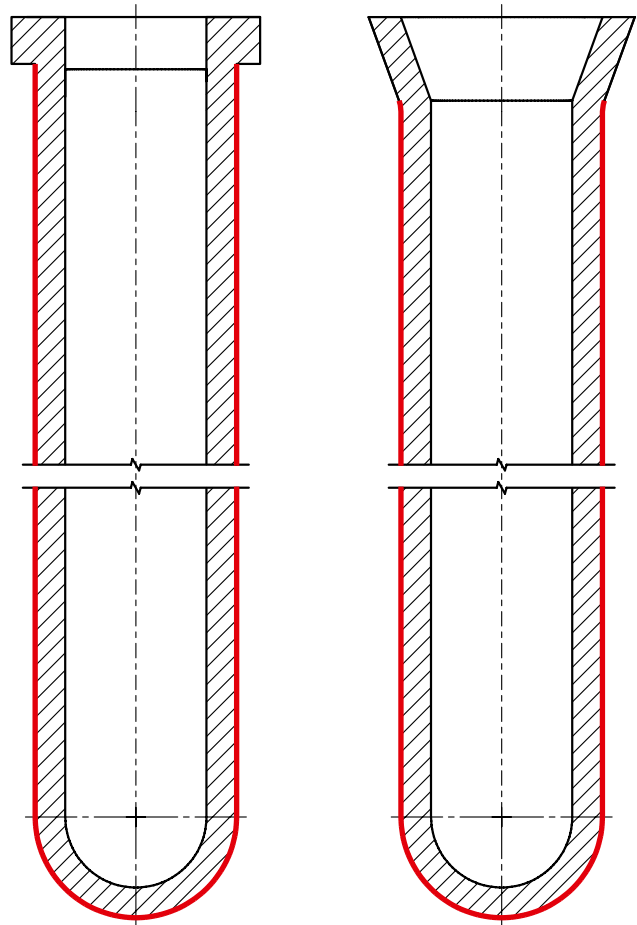


FILTRATH®CAT

Catalytic Filter Elements
for Multi-pollutant Emissions Control



RATH

Rath
extends
Hot Gas
Filtration

OUTSTANDING INSIDE
Refractory Solutions

RATH

FILTRATH®CAT

FILTRATH®CAT are rigid, low density, vacuum-formed catalyst-coated ceramic filter elements developed for multi-pollutant control of dust, acid gases, dioxins and oxides of nitrogen in hot gas streams.


The high-temperature wool fibres are coated with SCR catalyst, which - in conjunction with upstream reductant injection - enables very high efficiency removal of NOx and Dioxins - as well as dust / particulate. Dry sorbent injection

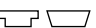
(DSI) upstream of the hot gas filter allows simultaneous control of acid gases (e.g. HCl, HF and SO₂). This 3-in1 multi-pollutant control capability offers significant operational advantages and cost benefits, namely:

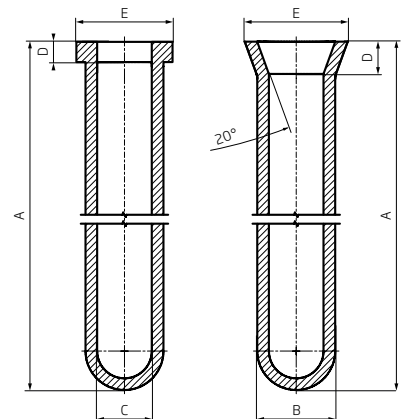
- › Lower CAPEX cost - no separate ESP,
- Lower OPEX costs - higher reduction efficiencies
- › BHF or SCR systems
- › Fewer interfaces and smaller overall footprint

FILTRATH®CAT Catalytic Ceramic Filter Element – Standard Sizes (other dimensions available on request)

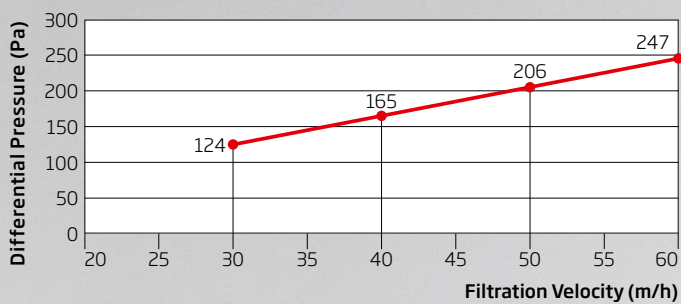
[Information](#) «

Dimensions / Flange Geometry		T or V 					
Length (A)	[mm]	1,000	1,600	1,800	1,950	2,200	3,000
Sections (Delivered)	[#]	1					
Outer/Inner Diameter (B/C)	[mm]	150/110					
Flange Length (D)	[mm]	30 or 65					
Flange Outer Diameter (E)	[mm]	195 or 205					
Filtration Area	[m ²]	0.50	0.78	0.87	0.95	1.06	1.44
Weight-FILTRATH® (uncoated)	[kg]	2.0	3.8	4.6	5.2	5.6	6.5

Dimensions / Flange Geometry		T or V 			
Length (A)	[mm]	3,600	4,000	4,500	6,000
Sections (Delivered)	[#]	1 or 2	2	2	2 or 3
Outer/Inner Diameter (B/C)	[mm]	150/110			
Flange Length (D)	[mm]	30 or 65			
Flange Outer Diameter (E)	[mm]	195 or 205			
Filtration Area	[m ²]	1.72	1.91	2.12	2.83
Weight-FILTRATH® (uncoated)	[kg]	7.5	8.3	9.5	12.8



FILTRATH®CAT: Differential Pressure



Tailored Solutions

FILTRATH®CAT is suitable for hot gas temperatures between 200 °C and 420 °C. To ensure optimum catalytic performance, the catalyst volume and coating are adjusted according to the specific process application and operating conditions.

FILTRATH®CAT - Principal Applications:

- › Glass industry
- › Cement industry
- › Metal processing industries
- › Chemical / Petrochemical industry
- › Waste / Biomass incineration & recycling
- › Pyrolysis / Gasification processes
- › Heat / Power generation

Finding the Right Solution

Optimization of these physical parameters is required to achieve the optimum filtration solution.

- › Diameter
- › Length
- › Temperature
- › Catalytic coating



RATH GROUP

OUR SALES OFFICES

AUSTRIA

RATH BUSINESS SERVICES GMBH

Walfischgasse 14

A-1015 Vienna

T: +43 (1) 513 44 27-0

RATH AG

Walfischgasse 14

A-1015 Vienna

T: +43 (1) 513 44 27-0

F: +43 (1) 513 44 27-2187

AUG. RATH JUN. GMBH

Hafnerstrasse 3

A-3375 Krumnussbaum

T: +43 (2757) 2401-0

F: +43 (2757) 2401-2286

HUNGARY

RATH HUNGÁRIA KFT.

Porcelán utca 1

H-1106 Budapest

T: +36 (1) 433 00 40

F: +36 (1) 261 90 52

POLAND

RATH POLSKA SP. Z O.O.

ul. Budowlanych 11

PL-41 303 Dąbrowa Górnicza

T: +48 (32) 268 47 01

F: +48 (32) 268 47 02

GERMANY

RATH SALES GMBH & CO KG

Ossietzkystrasse 37/38

D-01662 Meissen

T: +49 (3521) 46 45 41-0

F: +49 (3521) 46 45 41-88

Krefelder Strasse 680-682

D-41066 Mönchengladbach

T: +49 (2161) 96 92 42-0

F: +49 (2161) 96 92 42-61

Leulitzer Strasse 6A

D-04828 Bennewitz

T: +49 (3425) 89 48 43-0

F: +49 (3425) 89 48-4313

CZECH REPUBLIC

RATH ŽÁROTECHNIKA SPOL. SR.O.

Vorlesská 290

CZ-544 01 Dvur Králové n. L.

T: +420 (499) 32 15 77

F: +420 (499) 32 10 03

UKRAINE

RATH UKRAINA GMBH

ul. Schevchenko 37

UA-49044 Dnepr

T: +380 (56) 785 30 35

F: +380 (50) 368 98 98

USA

RATH INC.

290 Industrial Park Drive

Milledgeville, GA 31061, USA

T: +1 (478) 452 00-15

F: +1 (478) 452 00-70

100 Commerce Drive, Suite 303,

Newark, DE 19713, USA

T: +1 (302) 294 44-46

F: +1 (302) 249 44-51

MEXICO

RATH GROUP S. DE R.L. DE C.V.

Poniente 1, 206

64103, Monterrey, Nuevo Leon, Mexico

T: +52 (1) 81 26 76 04 77